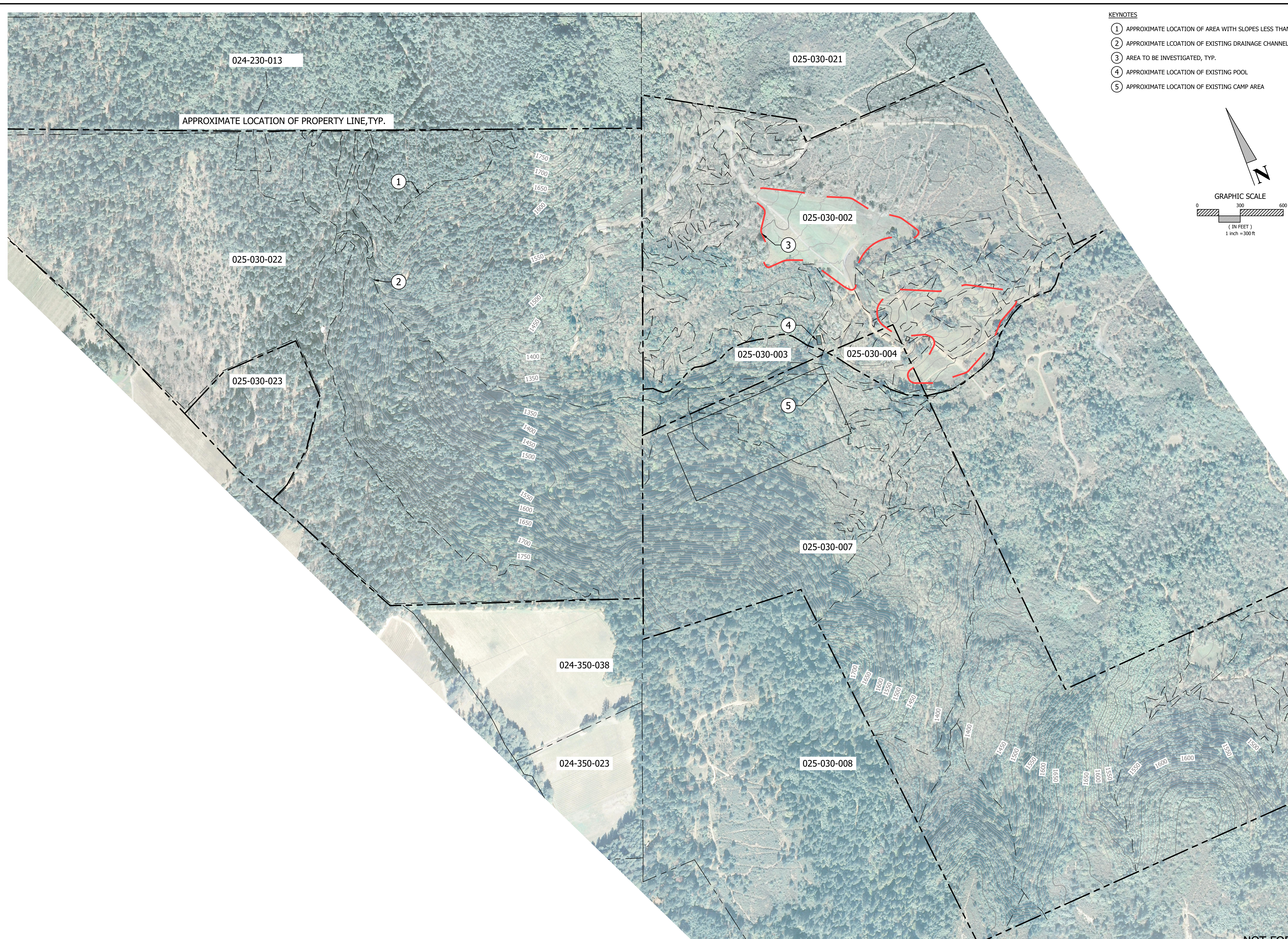
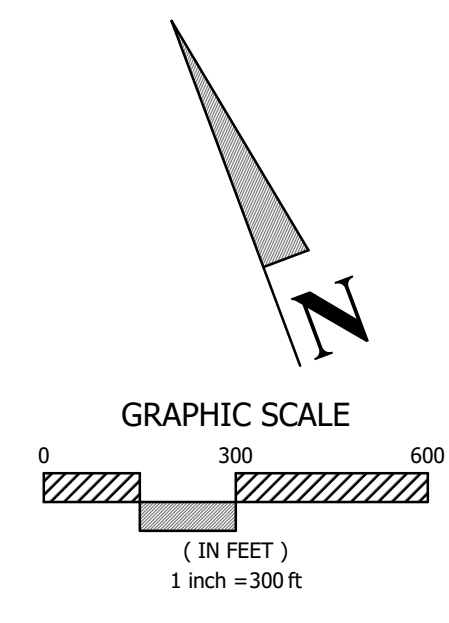


S:\Clients\2799-23 Las Posadas 4-H Camp\CAD\Civil Engineering\Exhibits\2799-23 Site Plan.dwg  
 3/21/2023 1:21 PM  
 Plotted by Mandy




- KEYNOTES**
- ① APPROXIMATE LOCATION OF AREA WITH SLOPES LESS THAN OR EQUAL TO 30%, TYP.
  - ② APPROXIMATE LOCATION OF EXISTING DRAINAGE CHANNEL GREATER THAN 18" DEEP, TYP.
  - ③ AREA TO BE INVESTIGATED, TYP.
  - ④ APPROXIMATE LOCATION OF EXISTING POOL
  - ⑤ APPROXIMATE LOCATION OF EXISTING CAMP AREA



REV.	DESCRIPTION	BY	DATE

<b>BC ENGINEERING GROUP, INC.</b> <b>CIVIL ENGINEERING &amp; LAND PLANNING</b> www.bceengineeringgroup.com Phone: 707.542.4321 SANTA ROSA OFFICE: 418 B Street, Third Floor, Santa Rosa CA 95401 UKIAH OFFICE: 603 S. State Street, Ukiah CA 95482	
	
<b>LAS POSADAS 4-H CAMP</b> SITE PLAN	
775 & 755 LAS POSADAS RD, ANGINWIN, CA 94508	
Date:	3/27/2023
Job:	2799-23
Drawn:	NM, MB
Scale:	AS SHOWN
APN:	025-030-023, 025-030-022
Permit #:	
Sheet:	<b>EXHIBIT</b>
	1 of 3

NOT FOR CONSTRUCTION